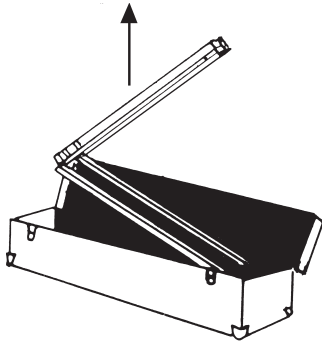


HARKNESS SCREENS EASI-RECT Assembly Instructions

PLEASE READ THESE EASY TO FOLLOW INSTRUCTIONS BEFORE ATTEMPTING TO USE YOUR NEW SCREEN

1

Remove the frame from its case by unfolding it in one direction.

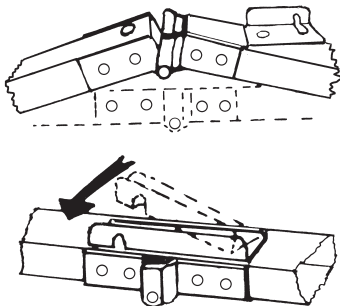


2

Latch all hinges as the frame unfolds in the first direction. Next unfold it in the other direction.

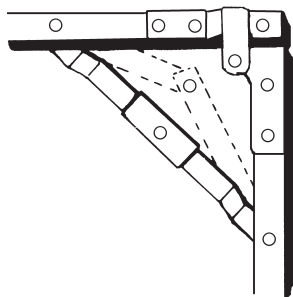
Take care to only unfold the frame in one direction at a time.

Do not force - if undue pressure is required you are unfolding incorrectly.



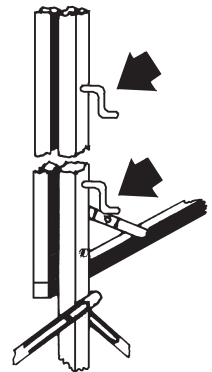
3

Lock all corner braces. If surface fit is very tight lock corner braces **after** fitting surface.



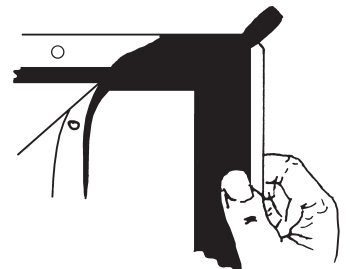
4

Unfold leg assemblies and lock all latches. Attach a leg to each side of the frame using two Speedi-Cranks for each leg. Ensure right and left legs are attached to correct side - the black locking knob near the bottom of the leg should be on the side of the leg away from the frame.



5

Snap screen surface material to the frame. See **3**. Avoid low temperature handling if possible.



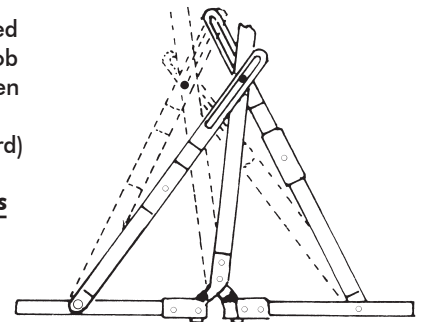
6

A tilt adjustment is achieved by loosening the black knob on the 'T' leg brace. Tighten the knob when desired tilt (either forward or backward) is obtained.

Ensure the 'T' leg base is flat on the floor.

Do not over tilt.

Do not tilt if drape kit is fitted.



TO PACK - Reverse the procedure, removing the surface carefully.

CAUTION

- When folding the screen surface avoid contact with either the binding or buttons as this may cause damage.
 - Keep away from painted, varnished or plastic finished objects.
 - Always store the surface in the envelope supplied. Failure to observe these precautions may cause discolouration of the material.
- The surface may be cleaned using a soft cloth and a mild soap and water solution. **Do not use solvent type cleaners of any kind.** Ensure the surface is **completely dry** before folding and storing.

Rear projection screens are shipped with tissue paper interleaved between the folds. Continuing this practice, or using a soft white cloth, prevents the material from sticking to itself and makes it easier to unfold. **Do not use** newspaper or anything similar as this will damage the material.

Perlux front project video surfaces and **Spectral 240 3D** surfaces are also available. These surfaces **must** be stored rolled - **not folded** - and may **not** be cleaned.

CINEMA STYLE DRAPE KITS are available for all sizes of screen. In a variety of materials and colours, drape kits snap-fit to the screen frame presenting a professional appearance to the audience.

EASI-RECT SCREENS...
are made in England by Harkness Screens,
the world's leading screenmakers.

HARKNESS SCREENS

Unit A, Norton Road, Stevenage, Herts SG1 2BB UK
Tel: 01438 725200 Fax: 01438 344400
e-mail: sales@harkness-screens.com
www.harkness-screens.com

Issue: 01:01/07

